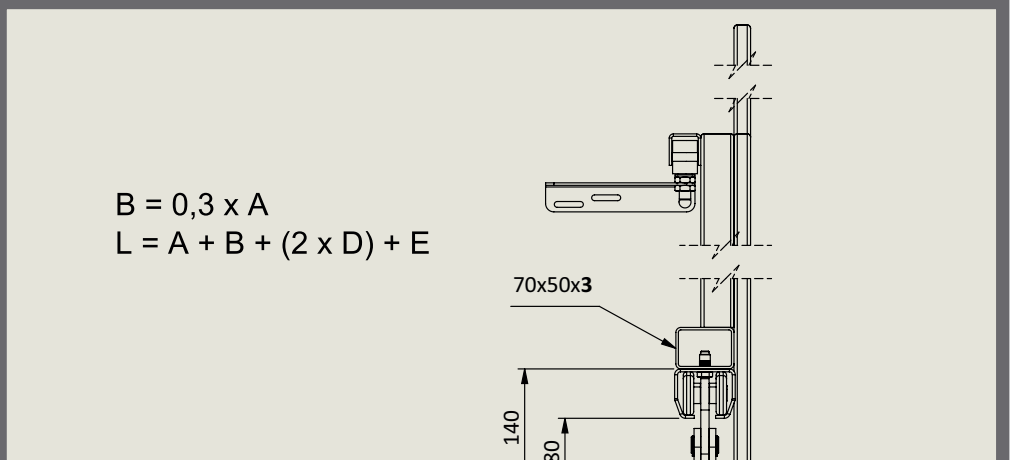
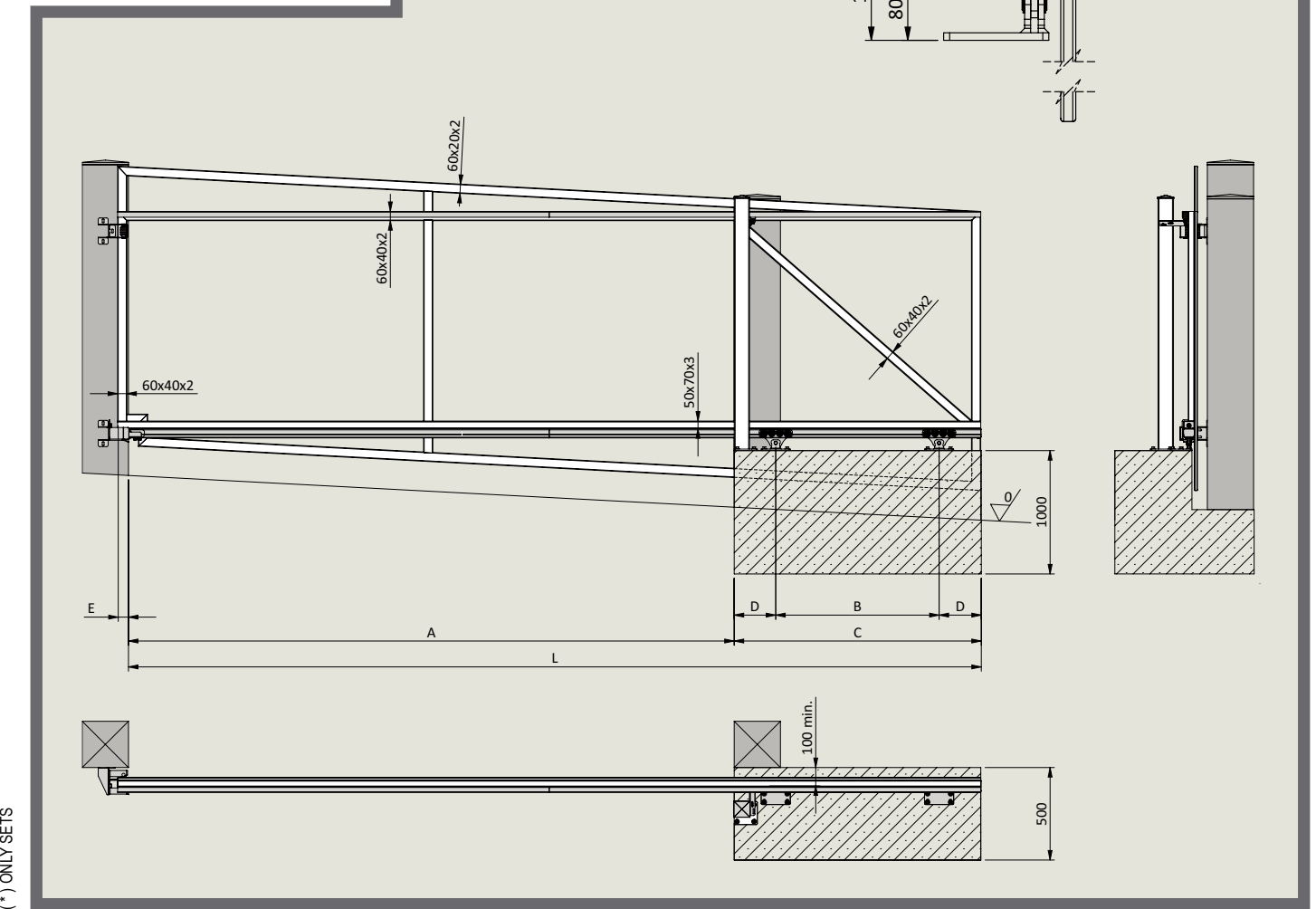


CANTILEVER SK									
	mm; kg	mm; kg	mm; kg	mm; kg	mm; kg	mm; kg	mm; kg	mm; kg	mm; kg
A	3000	3200	3400	3600	3800	4000	4200	4500	
max. weight gate	325 kg	325 kg	325 kg	350 kg	375 kg	400 kg	425 kg	450 kg	
B	900	960	1020	1080	1140	1200	1260	1350	
C	1440	1500	1560	1620	1680	1740	1800	1890	
D	270	270	270	270	270	270	270	270	



- SUITABLE FOR INCLINED SURFACE INSTALLATION
- EASY ASSEMBLY
- FAST NO WELDING REQUIRED
- 15 BOLTS 15 RIVET NUTS INCLUDED (*)
- «C» TRACK SERIAL NO. 100% COMPATIBILITY CARRIAGE TESTED
- GERMAN STEEL
- HOT DIPPED GALVANIZED
- ARROW STRAIGHT «C» TRACK
- SLOTTED HOLE PUNCHED EVERY 400mm IN TRACK
- GALVANIZED INTERNAL EDGES
- ASYMMETRIC EIGHT WHEELED CARRIAGE
- C 2 HIGH QUALITY BEARINGS
- CARRIAGES CENTER HOLES MILLED NOT LASER CUT
- MULTI RIVETED SECTIONS
- JAPANESE ROBOTICS FANUC
- UNIVERSITY OF TECHNOLOGY – BRNO
- 37°C TESTED & PROVEN
- +50°C TESTED & PROVEN
- MADE IN CZECH REPUBLIC
- NO WELDING REQUIRED



CAIS CANTILEVER SK 4.5

CANTILEVER HARDWARE