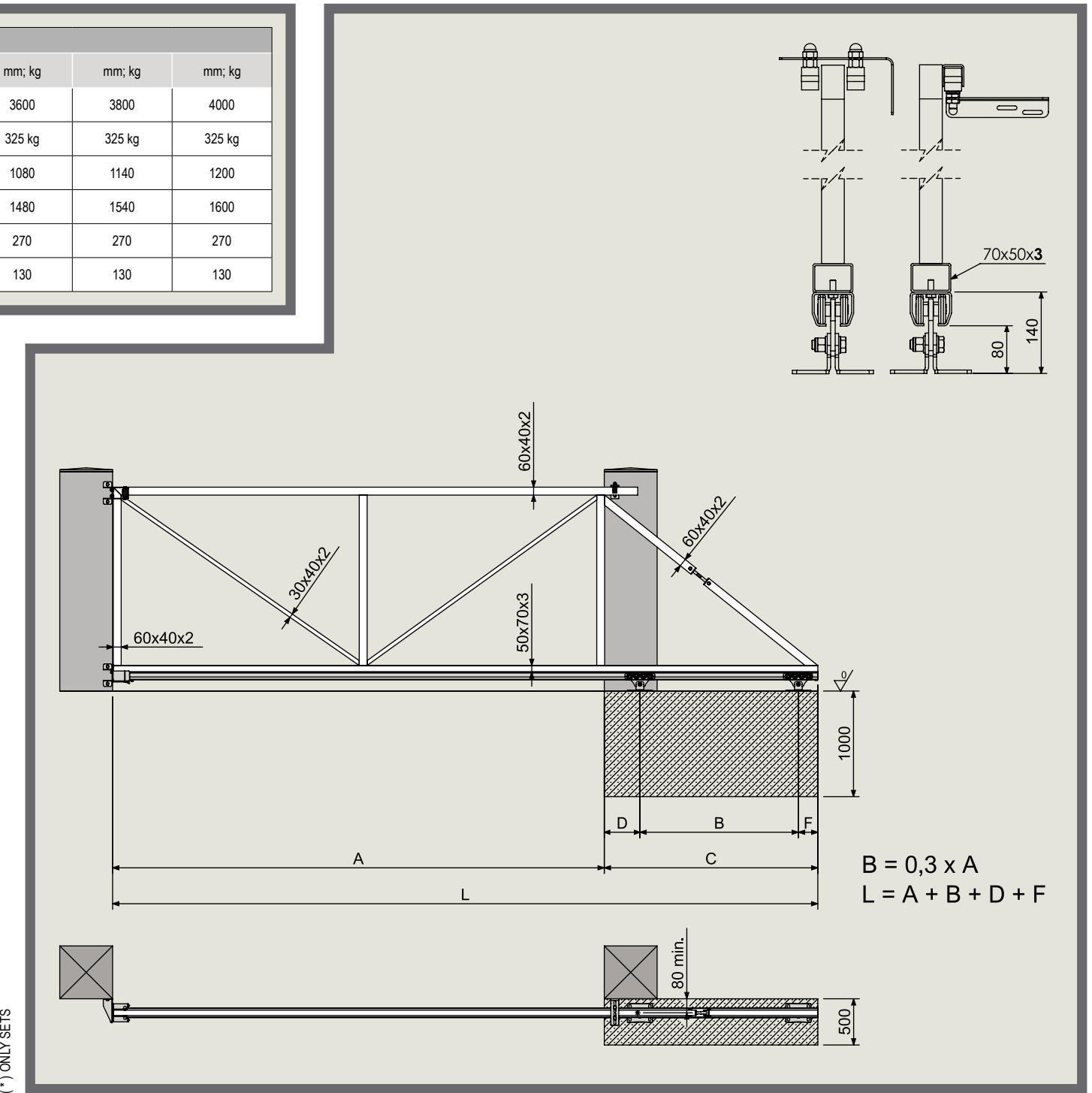


CANTILEVER SE						
	mm; kg	mm; kg	mm; kg	mm; kg	mm; kg	mm; kg
A	3000	3200	3400	3600	3800	4000
max. weight gate	325 kg	325 kg	325 kg	325 kg	325 kg	325 kg
B	900	960	1020	1080	1140	1200
C	1300	1360	1420	1480	1540	1600
D	270	270	270	270	270	270
F	130	130	130	130	130	130

- EASY ASSEMBLY
- FAST NO WELDING REQUIRED
- 15 BOLTS 15 RIVET NUTS INCLUDED (*)
- «C» TRACK SERIAL NO. 100% COMPATIBILITY CARRIAGE TESTED
- GERMAN STEEL
- 270 g/m² HOT DIPPED GALVANIZED
- ARROW STRAIGHT «C» TRACK
- SLOTTED HOLE PUNCHED EVERY 400mm IN TRACK
- GALVANIZED INTERNAL EDGES
- MADE IN CZECH REPUBLIC
- C 2 HIGH QUALITY BEARINGS
- CARRIAGES CENTER HOLES MILLED NOT LASER CUT
- MULTI RIVETED SECTIONS
- JAPANESE ROBOTICS FANUC
- UNIVERSITY OF TECHNOLOGY – BRNO
- 37°C TESTED & PROVEN
- +50°C TESTED & PROVEN
- NO WELDING REQUIRED



CAIS CANTILEVER SE 4.0

CANTILEVER HARDWARE