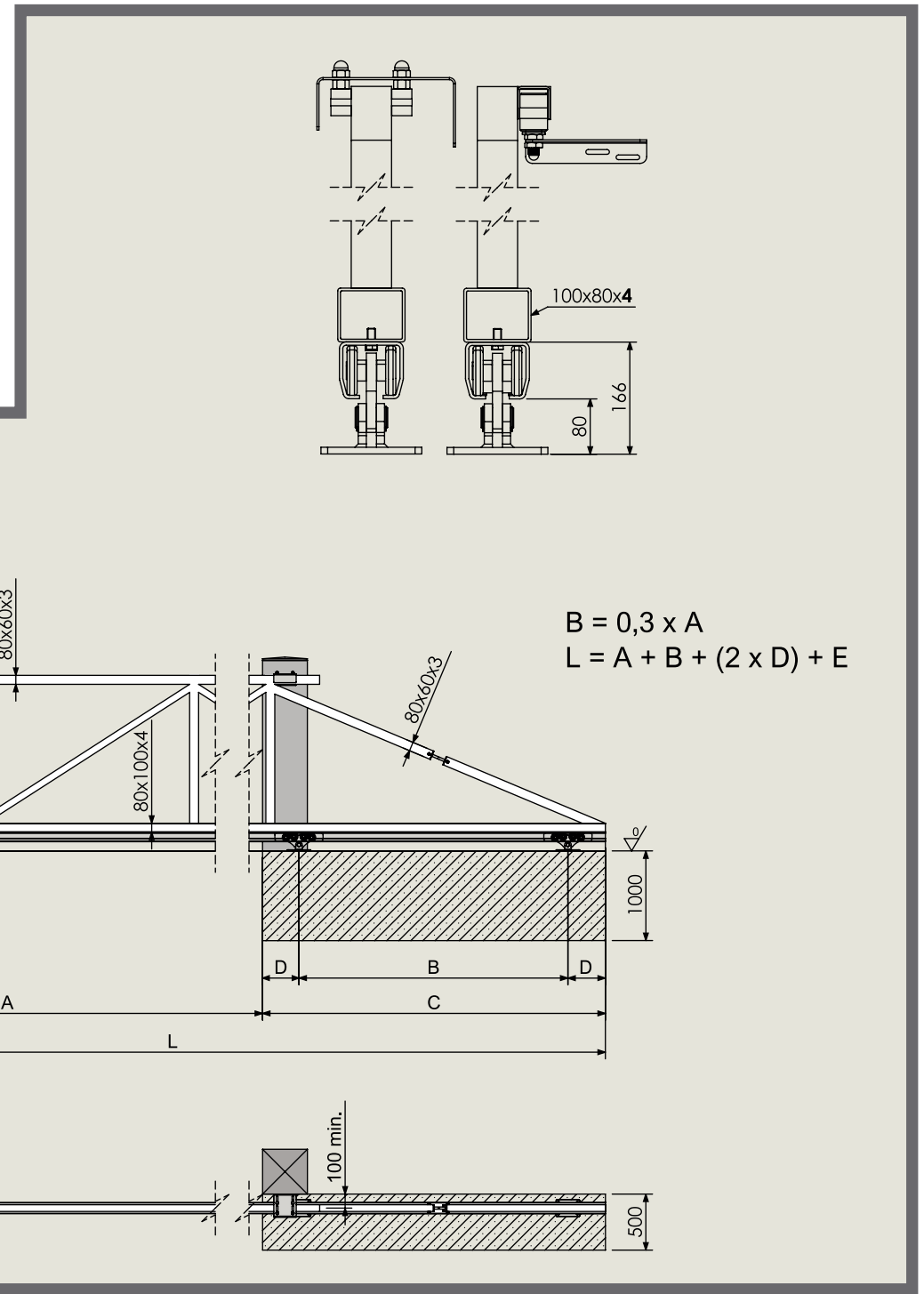


CANTILEVER ME									
	mm; kg	mm; kg	mm; kg	mm; kg	mm; kg	mm; kg	mm; kg	mm; kg	mm; kg
A	4000	4500	5000	5500	6000	6500	7000	7500	8000
max. weight gate	500 kg	525 kg	550 kg	575 kg	600 kg	625 kg	650 kg	675 kg	700 kg
B	1200	1350	1500	1650	1800	1950	2100	2250	2400
C	1860	2010	2160	2310	2460	2610	2760	2910	3060
D	330	330	330	330	330	330	330	330	330

- EASY ASSEMBLY
- FAST NO WELDING REQUIRED
- 15 BOLTS 15 RIVET NUTS INCLUDED (*)
- «C» TRACK SERIAL NO. 100% COMPATIBILITY CARRIAGE TESTED
- GERMAN STEEL
- HOT DIPPED GALVANIZED
- ARROW STRAIGHT «C» TRACK
- SLOTTED HOLE PUNCHED EVERY 400mm IN TRACK
- GALVANIZED INTERNAL EDGES
- MADE IN CZECH REPUBLIC
- C 2 HIGH QUALITY BEARINGS
- CARRIAGES CENTER HOLES MILLED NOT LASER CUT
- MULTI RIVETED SECTIONS
- JAPANESE ROBOTICS FANUC
- UNIVERSITY OF TECHNOLOGY – BRNO
- 37°C TESTED & PROVEN
- +50°C TESTED & PROVEN
- NO WELDING REQUIRED



CAIS CANTILEVER ME 8.0

CANTILEVER HARDWARE